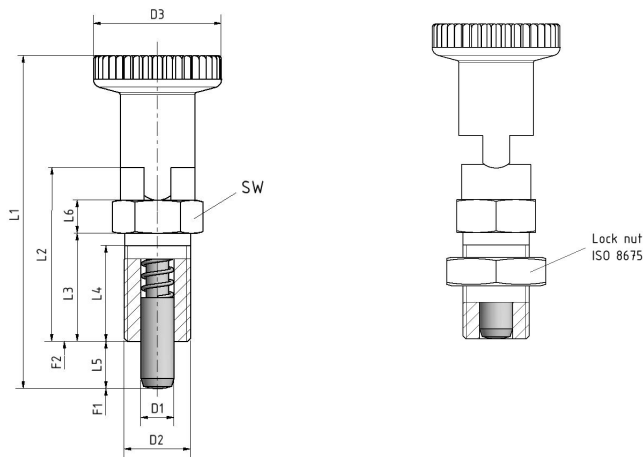


Indexing plunger with rest position

Great overall height, precise positioning



Art. No.	Art. No.	D1	D2	D3	L1	L2	L3	L4	L5	L6	SW	Spring force Start F1 ≈ N	Spring force End F2 ≈ N
Burnished steel	Stainless steel	Bolt −0.02 −0.04		≈				min.					
1-30R-1005	1-30R-2005	5	M10x1	21	51	27,5	17	15	5	5	12	6	15
1-30R-1006	1-30R-2006	6	M12x1.5	25	61	32,5	20	17	6	6	14	8	21
1-30R-1008	1-30R-2008	8	M16x1.5	31	75,5	42,5	26	23	8	8	19	9	26
1-30R-1010	1-30R-2010	10	M20x1.5	31	91	54	33	30	10	10	22	17	40

All data in mm. Standard version ex stock. Other dimensions and materials are also possible on request.
We reserve the right to make design changes for technical/manufacturing reasons.

Material · Technical data

Pass tolerance	0.03 mm – 0.06 mm
Housing	Burnished steel, 5,8 or stainless steel
Bolt	Burnished or bare stainless steel (hardened on request)
Spring	Stainless steel, reinforced version also possible
Ring	Polyamide
Lock nut	DIN EN ISO 8675 Burnished or stainless Please specify when ordering: Version 1-30R without lock nut or 1-30RK with lock nut
Thread lock	On request, based on standards DIN 267-28 / Fasteners with locking coating DIN 267-27 / Fasteners with adhesive and microencapsulated coatings Designation examples: poly-surface, precote, etc.

