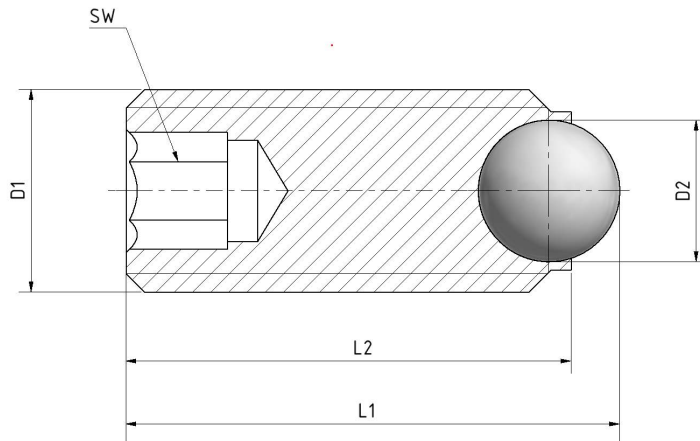


## Ball-end thrust screws without head

Thread size **M4 – M16**, stainless steel with full ball



Art. No. Ball steel	Art. No. Ball POM	D1	L1	L2	D2 6U <sup>°</sup>	SW
------------------------	----------------------	----	----	----	-----------------------	----

3-232-04-06,0	3-234-04-06,0	M4	6	5.3	2.5	2
3-232-04-08,0	3-234-04-08,0	M4	8	7.3	2.5	2
3-232-04-10,0	3-234-04-10,0	M4	10	9.3	2.5	2
3-232-04-12,0	3-234-04-12,0	M4	12	11.3	2.5	2
3-232-04-16,0	3-234-04-16,0	M4	16	15.3	2.5	2

M4

3-232-05-08,0	3-234-05-08,0	M5	8	7.2	3	2.5
3-232-05-10,0	3-234-05-10,0	M5	10	9.2	3	2.5
3-232-05-12,0	3-234-05-12,0	M5	12	11.2	3	2.5
3-232-05-16,0	3-234-05-16,0	M5	16	15.2	3	2.5
3-232-05-20,0	3-234-05-20,0	M5	20	19.2	3	2.5
3-232-05-25,0	3-234-05-25,0	M5	25	24.2	3	2.5

M5

3-232-06-10,8	3-234-06-10,8	M6	10.8	9.6	4	3
3-232-06-12,8	3-234-06-12,8	M6	12.8	11.6	4	3
3-232-06-16,8	3-234-06-16,8	M6	16.8	15.6	4	3
3-232-06-20,8	3-234-06-20,8	M6	20.8	19.6	4	3
3-232-06-25,8	3-234-06-25,8	M6	25.8	24.6	4	3
3-232-06-40,8	3-234-06-40,8	M6	40.8	39.6	4	3
3-232-06-50,8	3-234-06-50,8	M6	50.8	49.6	4	3
3-232-06-60,8	3-234-06-60,8	M6	60.8	59.6	4	3
3-232-06-80,8	3-234-06-80,8	M6	80.8	79.6	4	3

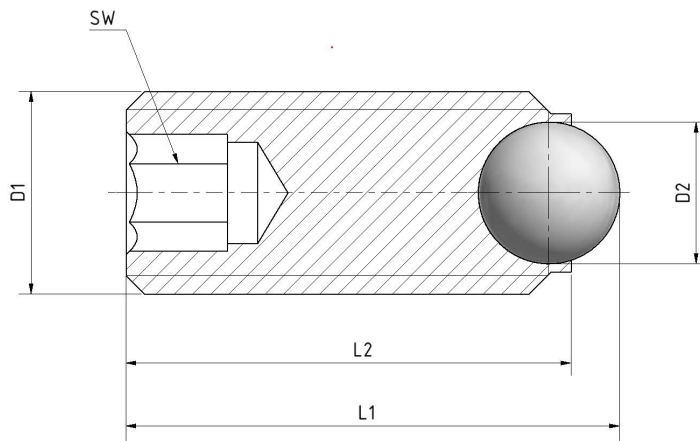
M6

All data in mm. Standard version ex stock. Other dimensions and materials are also possible on request.  
We reserve the right to make design changes for technical/manufacturing reasons.



## Ball-end thrust screws without head

Thread size **M4 – M16**, stainless steel with full ball



Art. No. Ball steel	Art. No. Ball POM	D1	L1	L2	D2 6U <sup>°</sup>	SW
------------------------	----------------------	----	----	----	-----------------------	----

3-232-08-11,2	3-234-08-11,2	M8	11.2	9.5	5.5	4
3-232-08-13,2	3-234-08-13,2	M8	13.2	11.5	5.5	4
3-232-08-17,2	3-234-08-17,2	M8	17.2	15.5	5.5	4
3-232-08-21,2	3-234-08-21,2	M8	21.2	19.5	5.5	4
3-232-08-26,2	3-234-08-26,2	M8	26.2	24.5	5.5	4
3-232-08-31,2	3-234-08-31,2	M8	31.2	29.5	5.5	4
3-232-08-41,2	3-234-08-41,2	M8	41.2	39.5	5.5	4
3-232-08-51,2	3-234-08-51,2	M8	51.2	49.5	5.5	4
3-232-08-61,2	3-234-08-61,2	M8	61.2	59.5	5.5	4
3-232-08-81,2	3-234-08-81,2	M8	81.2	79.5	5.5	4

M8

3-232-10-13,7	3-234-10-13,7	M10	13.7	11.4	7	5
3-232-10-17,7	3-234-10-17,7	M10	17.7	15.4	7	5
3-232-10-21,7	3-234-10-21,7	M10	21.7	19.4	7	5
3-232-10-26,7	3-234-10-26,7	M10	26.7	24.4	7	5
3-232-10-36,7	3-234-10-36,7	M10	36.7	34.4	7	5

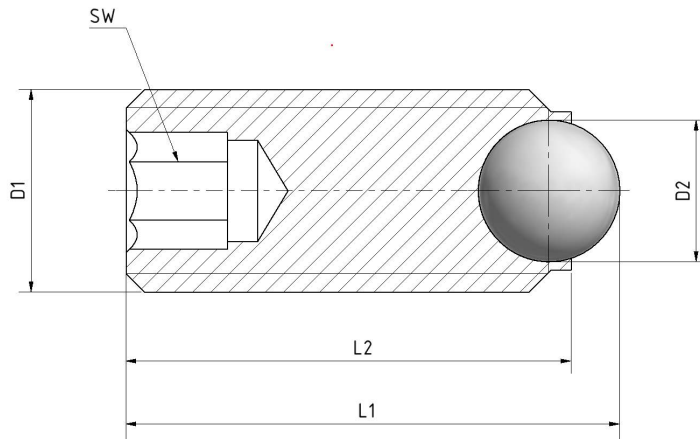
M10

All data in mm. Standard version ex stock. Other dimensions and materials are also possible on request.  
We reserve the right to make design changes for technical/manufacturing reasons.



## Ball-end thrust screws without head

Thread size **M4 – M16**, stainless steel with full ball



Art. No. Ball steel	Art. No. Ball POM	D1	L1	L2	D2 6U <sup>°</sup>	SW
------------------------	----------------------	----	----	----	-----------------------	----

3-232-12-18,0	3-234-12-18,0	M12	18	15.2	8.5	6
3-232-12-22,0	3-234-12-22,0	M12	22	19.2	8.5	6
3-232-12-27,0	3-234-12-27,0	M12	27	24.2	8.5	6
3-232-12-32,0	3-234-12-32,0	M12	32	29.2	8.5	6
3-232-12-34,0	3-234-12-34,0	M12	34	31.2	8.5	6
3-232-12-42,0	3-234-12-42,0	M12	42	39.2	8.5	6

M12

3-232-16-23,3	–	M16	23.3	18.8	12	8
3-232-16-28,3	–	M16	28.3	23.8	12	8
3-232-16-38,3	–	M16	38.3	33.8	12	8
3-232-16-53,3	–	M16	53.3	48.8	12	8

M16

All data in mm. Standard version ex stock. Other dimensions and materials are also possible on request.  
We reserve the right to make design changes for technical/manufacturing reasons.

### Material · Technical data

<b>Housing</b>	Stainless steel
<b>Ball</b>	Hardened stainless steel or POM (Thermoplastic)
<b>Thread lock</b>	On request, based on standards DIN 267-28 / Fasteners with locking coating DIN 267-27 / Fasteners with adhesive and microencapsulated coatings Designation examples: poly-surface, precote, etc.

