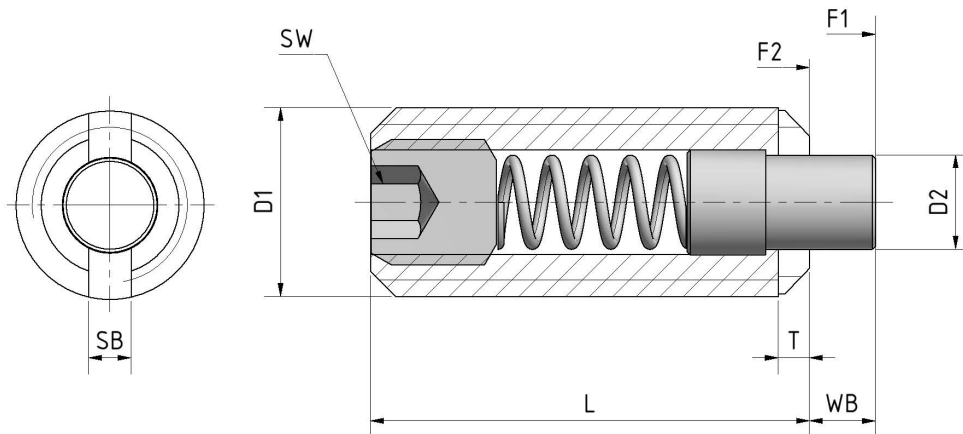


Spring plunger

Threaded pin and flattened bolt, standard spring force



Art. No.	Art. No.	D1	D2	WB	L	SW	SB	T	Spring force Start F1 ≈ N	Spring force End F2 ≈ N
Steel	Stainless steel		Bolt Ø							
Bolt steel	Bolt stainless steel									
1-21-1005-BFL	1-21-2005-BFL	M5	2.4	2.3	18	1.5	0.8	0.8	6	20
1-21-1006-BFL	1-21-2006-BFL	M6	2.7	2.5	20	2	1	0.9	7	20
1-21-1008-BFL	1-21-2008-BFL	M8	3.5	3	22	2.5	1.2	1.4	9	35
1-21-1010-BFL	1-21-2010-BFL	M10	4	3	22	3	1.6	1.4	9	35
1-21-1012-BFL	1-21-2012-BFL	M12	6	4	28	4	2	2	10	55
1-21-1016-BFL	1-21-2016-BFL	M16	7.5	5	32	5	2.5	2.5	45	100
1-21-1020-BFL	–	M20	10	7	40	6	2.5	3	70	140

All data in mm. Standard version ex stock. Other dimensions and materials are also possible on request.

We reserve the right to make design changes for technical/manufacturing reasons.

Material · Technical data

Housing	Burnished steel, 5.8 or stainless steel
Bolt	Hardened steel or hardened stainless steel
Threaded pin	DIN 913 made of burnished steel or stainless steel
Spring	Stainless steel
Thread lock	On request, based on standards DIN 267-28 / Fasteners with locking coating DIN 267-27 / Fasteners with adhesive and microencapsulated coatings Designation examples: poly-surface, precote, etc.

